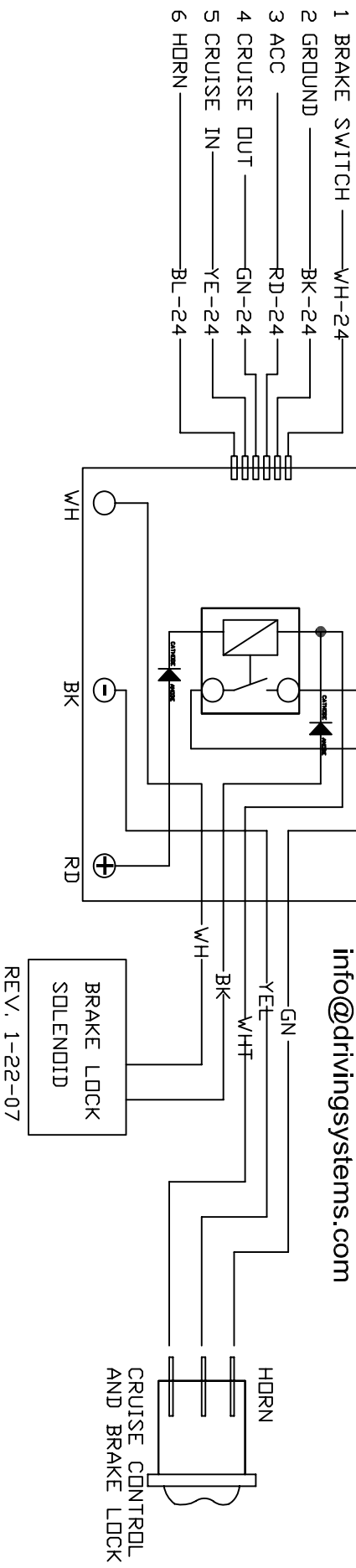


# AUTOADAPT MENOX HAND CONTROL STANDARD WIRING DIAGRAM

DSI  
 16141 RUNNYMEDE STREET  
 VAN NUYS, CA 19406 USA  
 818-782-6793 FAX 818-782-6485  
[info@drivingsystems.com](mailto:info@drivingsystems.com)



- 1 BRAKE SWITCH \_\_\_\_\_
- 2 GROUND \_\_\_\_\_
- 3 ACC \_\_\_\_\_
- 4 CRUISE OUT \_\_\_\_\_
- 5 CRUISE IN \_\_\_\_\_
- 6 HDRN \_\_\_\_\_

Connect to brake switch wire which is only hot when brake is applied

Connect to ground

Connect to accessory power only when Cruise is used

Connect to output side of cruise control switch. CK to see if a resistor is needed.

Connect to input side of cruise control switch

When switch is operated, should throw ground

REV. 1-22-07